

Cissell Manufacturing Company
831 S. First St. / P.O. Box 32270
Louisville, Ky. 40232-2270
PH. 502/587-1292
FAX 502/585-3625
www.cissellmfg.com



The HD 250 lb. *On Premise Laundry* Dryers

FEATURE

Gas - 700000 BTU - 5000 CFM
Steam - 21 BHP - 5500 CFM

Full 250 lb. capacity basket
Safest Dryer Available

Rotational Sensor - Standard (DMP)
Door Switch - Standard
Emergency Stop Button - Exclusive
Lint Drawer Switch - Exclusive
24 V Controls Ignition System
Lockable service doors - Standard
Anti-wrinkle Safety tumble

Hi-limit Bonnet Safety Thermostat

Diagnostics - optional (DMP)

Huge 10" wheels for basket support

No Air compressor Required
(except for tilting models)

Gear Motor Drive System

Large Door Opening with Large Glass

Stainless Steel Basket

Large easy rolling lint drawer with
Stainless Steel Screen

Double -Motor Reversing

Stainless Steel Burners - Standard

Dual Bonnet Heat System

Electrostatically Applied Powder Paint

Double Wall Construction

16" Duct vs 20"

1-1/4" Gas line Instead of 1-1/2" Gas Line

BENEFIT

Ideal balance between BTU
and CFM for maximum
efficiency and fast dry times
AGA Efficiency Testing 1900 BTU/lb of Water Removed

No sag basket supported on quiet and heat resistant wheels

Detects broken belts
Mechanical door switch that stops the dryer when the door opens
Instantly shuts off dryer
Automatically shuts dryer down when lint drawer is open
Additional safety for operator
Easily accessibility for servicing and lockable for safety
If door is not opened at the end of the cycle, dryer will tumble to remove
residual heat while also preventing wrinkles
Shuts down dryer should dryer overheat

Allows operator or service technician to instantly diagnose problems

3 year warranty

Less costly installation / less maintenance

Rugged, quiet, and low maintenance

31- 1/2" X 42" door opening for ease of loading and unloading

Standard

Allows for easier cleaning

Standard

Increased efficiency / long burner life

Provides a uniform heat distribution eliminating hot spots

Painted inside and out to prevent chipping and rusting

Keeps heat inside while outside stays cool

Reduces installation costs

Less costly installation

The HD250 *On Premise Laundry Dryers*

| Specifications | U.S. Measure | Metric Measure |
|--|---|-------------------------------|
| Capacity (Dry Linen) | 250 lbs | 113.4 kg |
| Basket | Diameter | 57 inch |
| | Depth | 54 5/8" inch |
| | Volume | 80.7 ft ³ |
| Cabinet (HxWxD) | 113 5/8" X 74 3/4" X 80 7/8" | 2886 X 1899 X 2054 mm |
| Door Opening | 41 7/8" inch X 36" inch | 1063.6 mm x 914.4 mm |
| Door Loading Ht. | 34" inch | 863.6 mm |
| Temperature | Min. | 100° F |
| | Max. | 195° F |
| Motor | Drum | 3 Hp |
| | Fan Gas | 7 1/2 Hp |
| | Steam | 15 Hp |
| Exhaust Flow Rate | Gas | 5000 cfm |
| | Steam | 5500 cfm |
| | Diameter | 16 inch |
| Maximum Air Displacement | 5500 cfm | 9345 m ³ /h |
| Recommended Operating Range | 4800-5500 cfm | 8155 - 9345 m ³ /h |
| Export Cube- TOP | | 291 ft ³ |
| | BOTTOM | 93 ft ³ |
| Electric Connections | | NA |
| Power | Gas Input | 700,000 Btu/h |
| | Steam Consumption at 125 p.s.i. (Max. Pressure) | 21 BHP |
| Connection | Gas | 1-1/4" SPT |
| | Steam Inlet | 1-1/2" SPT |
| | Steam Outlet | 3/4" SPT |
| Gas Pressure | | |
| | Recommended Inlet supply (Nat.Gas) | 5-12" WC |
| | Recommended Inlet supply (LP Gas) | 14" WC |
| | Manifold Pressure (Nat. Gas) | 3.5" WC |
| | Manifold Pressure (LP Gas) | 11" WC |
| Shipping Dim. (H x W x D) TOP | | 92" X 76" X 72" |
| | BASE | 36" X 72" X 62" |
| Weight | Net TOP | 2128 lb |
| | BASE | 807 lb |
| Shipping | TOP | 2632 lb |
| | BASE | 1110 lb |



Diagnostic Microprocessor

| Feature | Benefit |
|---------------------------------|---|
| 1) 5 preset programs | No programming necessary, but programs can be easily customized. |
| 2) On/Off Reversing button | Simply push button to activate or deactivate reversing action. |
| 3) Anti-wrinkle safety tumble | If door is not opened at end of cycle dryer will tumble to remove any excess heat and at the same time prevent unnecessary wrinkling. |
| 4) Temperature display | Simply push and hold temperature button and the display will show the current basket temperature. |
| 5) End of cycle buzzer | Alerts operator that the cycle is finished. |
| 6) Extra contacts standard | Allows a strobe light to be added for the hearing impaired. Meets Veteran Hospital specifications. Simply push and hold the start button and it displays RPM's of the basket. This helps maintenance workers determine if belts need to be tightened. |
| 7) Basket RPM display | Alerts operator to clean the lint filter. |
| 8) Lint door monitor | A) dor Indicates the loading door is in the open position or dryer is tilted. |
| 9) Automatic diagnostic display | B) Ldr Indicates lint door switch is in the open position C) cln Indicates lint filter needs to be cleaned D) FSS Indicates a failure of the sail switch E) -S- Indicates safety tumble mode F) End End of Cycle |



Cissell Manufacturing Company
HEADQUARTERS
 831 S. FIRST ST. / P.O. BOX 32270
 LOUISVILLE, KY. 40232-2270
 PH. 502/587-1292 - FAX 502/585-3625
www.cissellmfg.com

All specifications are subject to change without notice.

AGA, CGA, CSA and CE Pending

Cissell Mfg. Co.
 831 S. First St. / P.O. Box 32270
 Louisville, Ky. 40232-2270
 PH. 502/587-1292
 FAX 502/585-3625
 www.cissellmfg.com



Cissell Mfg. Co.
 831 S. First St. / P.O. Box 32270
 Louisville, Ky. 40232-2270
 PH. 502/587-1292
 FAX 502/585-3625
 www.cissellmfg.com

The HD 250 *On Premise Laundry Dryers*

Clearance:
 Top: 18" Minimum

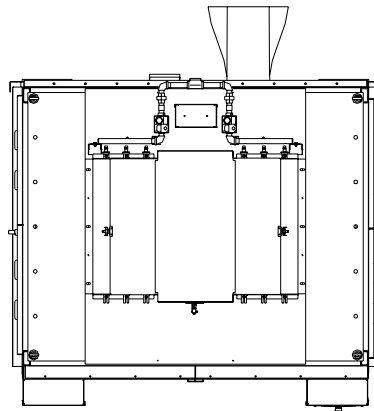
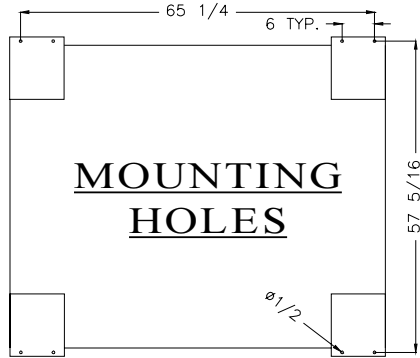
Back: 24" Minimum.
 36" recommended

Side: 0" permitted.
 30" recommended

ALL DIMENSIONS ARE +/- 1/4" (+/- 6.4 mm) AND ARE SUBJECT TO CHANGE WITHOUT NOTICE

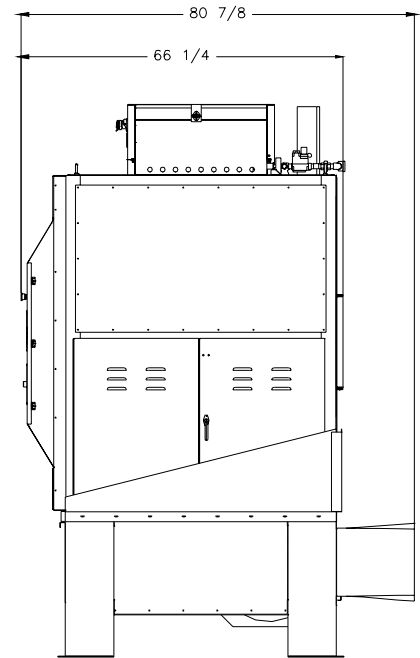
Classified Material

This drawing or diskette is submitted to you with the confidence that it will be used only for your information and application engineering studies and shall not be used in any manner detrimental to the interests of Cissell Manufacturing Company.

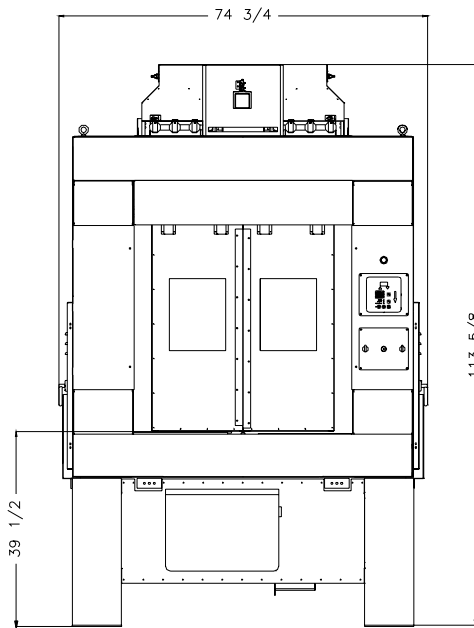


TOP VIEW

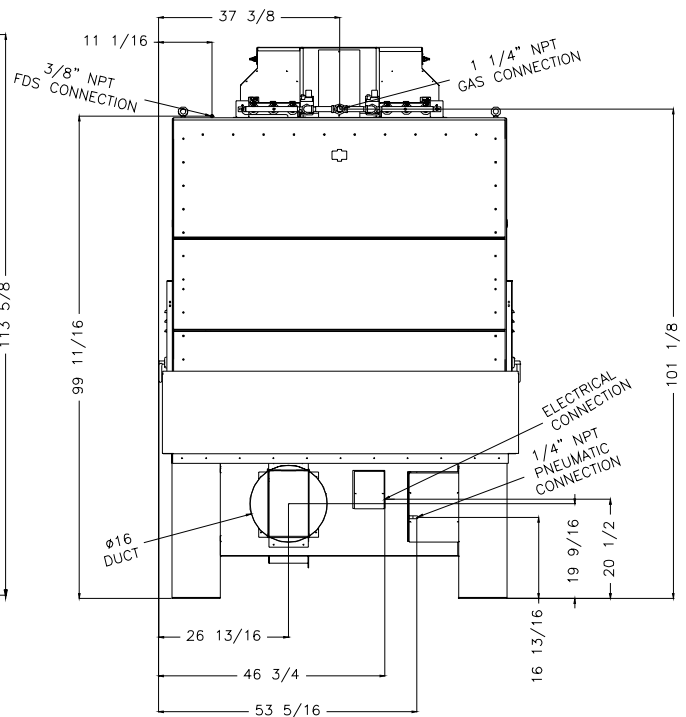
GAS DRYERS



SIDE VIEW



FRONT VIEW



REAR VIEW